



E-SWITCH®

# ULV Series

Product Training



Service ♦ Selection ♦ Speed



# Introduction

## **Purpose**

- Present E-Switch's new ULV Series Anti-vandal Switch Series to customers

## **Objective**

- Review the features and benefits of ULV Series
- Explain advantages of E-Switch ULV Series
- Provide typical applications

## **Content**

- 17 pages

# Overview

## ULV Series Anti-vandal Switches

- “UL” stands for UL Certified
- “V” stand for anti\_vandal

ULV Series includes:

- ULV4 (19mm)
- ULV7 (22mm)
- ULV8 (25mm)





# Features & Benefits



## IP67 Rated

- Designed for harsh use
- High resistance to wear & tear
- High resistance to corrosion
- Dust and moisture protection



# Features & Benefits

## The ULV Series provides:

- Large tamperproof, anti-jamming pushbutton
- Long travel of 3.2mm
- Actuation force of 2.5N - Single Pole
- 3.5N - Double Pole
- Offers momentary or latching operation
- Long mechanical life expectancy:
  - 1,000,000 cycles (momentary)
  - 500,000 cycles (latching)





# Operating Feature

**Momentary**





# Operating Feature

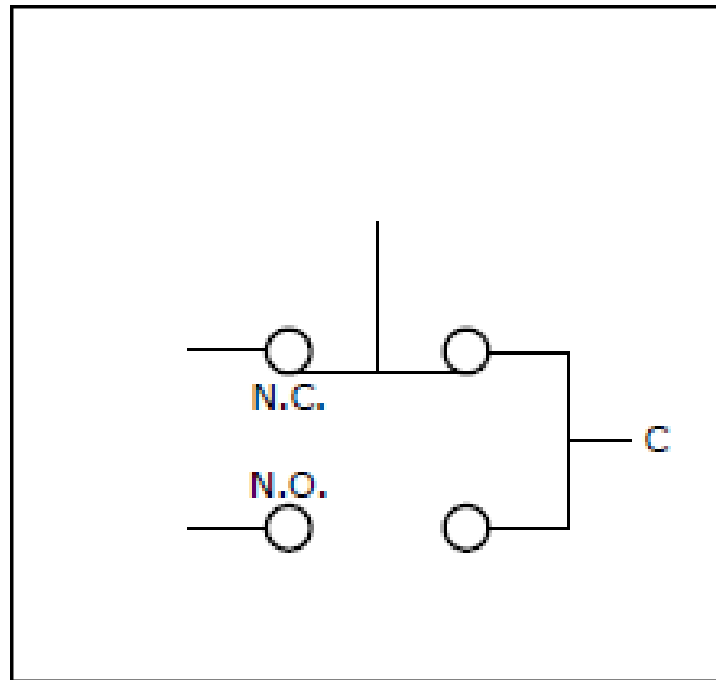
**Latching**



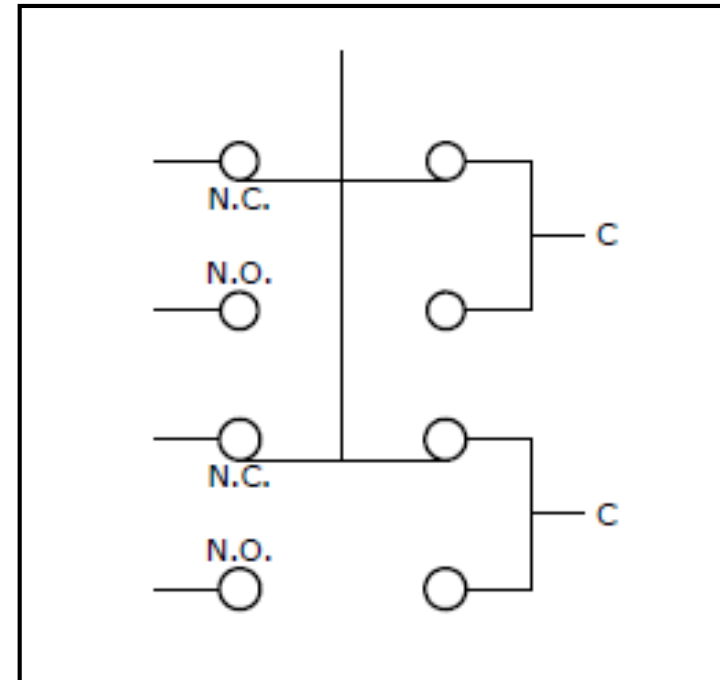


# Contact Configuration

SPDT



DPDT







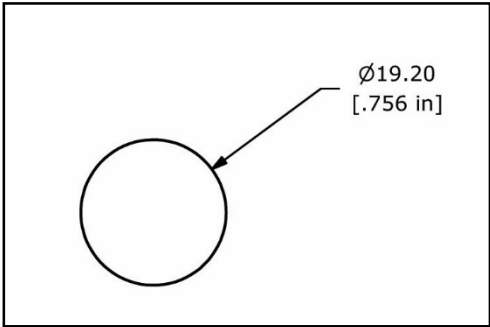
# Contact Configuration



# Option Selection

## ULV4

19mm diameter panel cutout



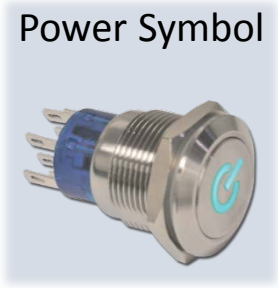
Dot



Ring



Power Symbol



White



Red



Orange



Green



Blue



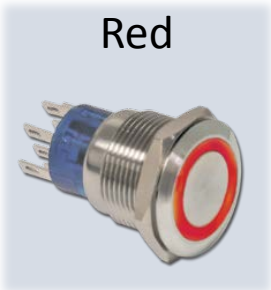
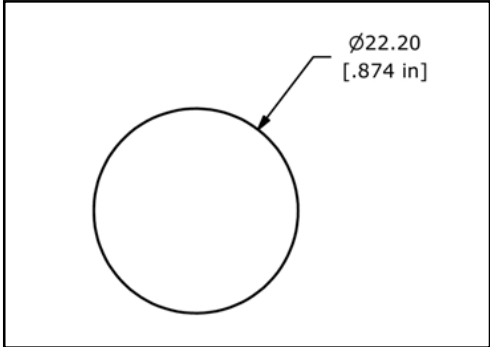
Yellow



# Option Selection

## ULV7

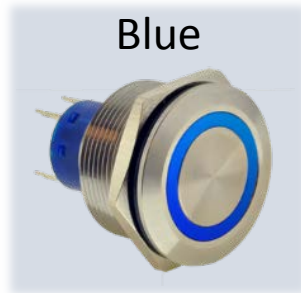
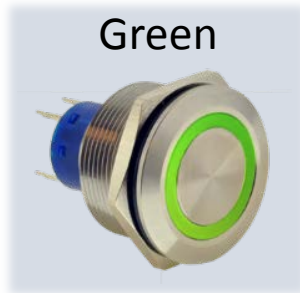
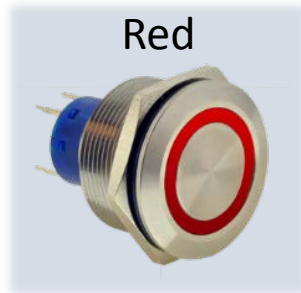
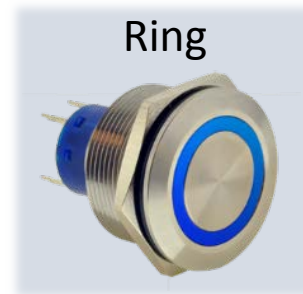
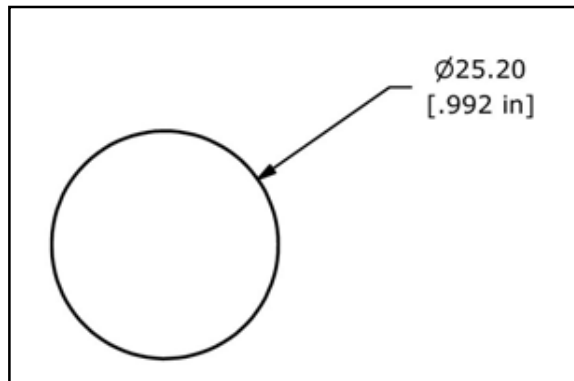
22mm diameter panel cutout



# Option Selection

## ULV8

25mm diameter panel cutout





# Applications

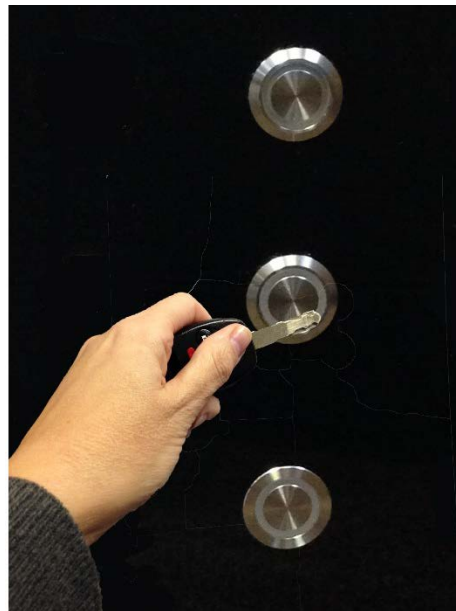
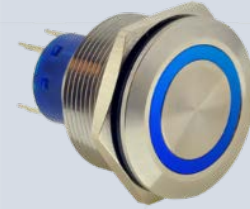
ULV4



ULV7



ULV8



# Applications

Audio/Visual



Marine Equipment



Watercraft Controls



Commercial Restaurant Equipment



Industrial Controls



Ticket/Vending Kiosks



Security Controls



Voting Machine Security



# Resources

www.e-switch.com

The image shows a screenshot of the E-Switch website. On the left, a search bar contains the text 'ULV'. Below it, a 'Product Series Results' section lists several products, including the 'ULV4 Series Anti-vandal Switch UL Listed' and the 'ULV7 Series Anti-vandal Switch Offers UL listing and IP67 ratings'. A red arrow points from the search bar to the ULV4 product listing. A green arrow points from the ULV4 product listing to a larger, detailed view of the same product on the right. This detailed view includes a product image, a title 'ULV4 Series Anti-vandal Switch UL Listed', a description, and a list of other products like 'Other anti-vandal switches', 'Other pushbutton switches', etc. Below the description are links for 'View Large Image', 'View PDF Data Sheet', and 'Distributor Stock Check'. At the bottom of the detailed view, there are links for 'Product Configurator', 'Detail Specs', and 'Spec Sheets'. The 'Product Configurator' section is divided into 'Step 1' and 'Step 2'. Step 1 is for configuring the part number, and Step 2 is for selecting additional options. A 'PART NUMBER:' field with a 'Clear' button is visible. To the right of the configurator is a 'Most Common Parts' list. At the bottom, there is a table of options for the ULV4 series.

**Product Series Results**

**ULV4 Series Anti-vandal Switch UL Listed**  
 The ULV4 series anti-vandal switch is our latest introduction in our popular anti-vandal series. It is the first one that is UL certified, offering a rating of 3A 250VAC. This switch has even more features: it is IP67 rated and has a long operating life of up to 1,000,000 life cycles (momentary) and 500,000 (latching).  
 It has dot, ring or power symbol illumination options, many LED color options, and multiple voltage options -even custom graphic options are available. It comes with a 19mm panel cutout size and SPDT or DPDT function.

**ULV7 Series Anti-vandal Switch Offers UL listing and IP67 ratings**  
 E-Switch announces the ULV7 series anti-vandal switch, our latest introduction in our popular anti-vandal series. It is UL certified, offering a rating of 3A 250VAC. This switch has even more popular features: it is IP67 rated and has a long operating life up to 1,000,000 life cycles (momentary) and 500,000 (latching).  
 It has ring illumination, many LED color options, multiple voltage options, and your choice of gold or silver contacts. This switch comes with a 22mm panel cutout size and SPDT or DPDT function.

**ULV4 Series Anti-vandal Switch UL Listed**  
 The ULV4 series anti-vandal switch is our latest introduction in our popular anti-vandal series. It is the first one that is UL certified, offering a rating of 3A 250VAC. This switch has even more features: it is IP67 rated and has a long operating life of up to 1,000,000 life cycles (momentary) and 500,000 (latching).  
 It has dot, ring or power symbol illumination options, many LED color options, and multiple voltage options -even custom graphic options are available. It comes with a 19mm panel cutout size and SPDT or DPDT function.

**Other anti-vandal switches**  
 Other pushbutton switches  
 Other illuminated switches  
 Other long life switches  
 Other panel mount switches  
 Other power rated switches  
 Other sealed switches

**Other anti-vandal switches**  
 Other pushbutton switches  
 Other illuminated switches  
 Other long life switches  
 Other panel mount switches  
 Other power rated switches  
 Other sealed switches

**View Large Image**  
**View PDF Data Sheet**  
**Distributor Stock Check**

**Product Configurator** **Detail Specs** **Spec Sheets**

**Step 1**  
 Configure your part number by selecting from the columns below.

**Step 2**  
 When your part number is complete, click to view additional options.

**PART NUMBER:**

**Additional Options**

**Most Common Parts**

- ULV4F23SS344
- ULV4F2BS3331
- ULV4F2GS3341
- ULV4F23SS544
- ULV4F2311544

Series	Actuator Options	Terminal Options	Function Options	Body Finish Options	Actuator Finish Options	Contact Material	Lens Style Options	LED Color Options	Illumination Voltage Options
ULV4	F Flat	2 Solder	3 1P ON-ON	N Nickel Plated	N Nickel Plated	None Silver	None Non-Illuminated	None Non-Illuminated	None Non-Illuminated
			B 1P ON-(ON)	S Stainless Steel	S Stainless Steel	G Gold	2 Dot Illumination	0 White	1 3V
			G 2P ON-ON	1 Black Anodized	1 Black Anodized		3 Ring, movable with actuator	1 Red	3 6V
			H 2P ON-(ON)					2 Orange	4 12V

# Resources

www.e-switch.com

The image shows a screenshot of the E-Switch website's navigation bar and promotional banners. The navigation bar includes links for Contact Us, Catalog Request, Sample/Quote Request (circled in green), and Distributor Stock Check. Below the navigation bar is the E-Switch logo, an Extranet Login link, and a search bar with the text "Part No, Drawing, Series" and a "GO" button. A horizontal menu contains links for Product Catalog, E-Cross™, Where to Buy, Technical Information, and About E-Switch. The phone number 800.867.2717 is displayed below the menu. The main content area features a large orange banner for "INTRODUCING... E-Switch Virtual Solutions" with a grid of product images and a "CLICK HERE to interact with our virtual solutions" call to action. To the right, there are two smaller banners: "3D Drawings" with a circled "Request 3D Drawings" button and "Product Matrix" with a product image.

Contact Us   Catalog Request   **Sample/Quote Request**   Distributor Stock Check

Extranet Login

**E-SWITCH®**

Search   Part No, Drawing, Series   **GO**

Product Catalog   E-Cross™   Where to Buy   Technical Information   About E-Switch

800.867.2717

**INTRODUCING... E-Switch Virtual Solutions**

Our complete array of anti-vandal switches... at your fingertips!

**CLICK HERE to interact with our virtual solutions**

**E-SWITCH®**

**3D Drawings**

**Request 3D Drawings**

**Product Matrix**





## Summary

- ULV4, ULV7, ULV8
- UL Certified
- Travel of 3.2mm
- Actuation Force: Single Pole – 2.5N, Double Pole – 3.5N
- Momentary or latching operation
- Mechanical Life: 1,000,000 cycles (momentary), 500,000 cycles (latching)
- Single Pole Double Throw and Double Pole Double Throw contact arrangements
- IP67 rated for moisture and dust protection
- Tamperproof and anti-jamming construction
- ULV4 offers multiple illumination patterns and the ULV7 and ULV8 provide a ring illumination pattern
- Multiple illumination colors