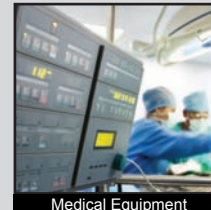
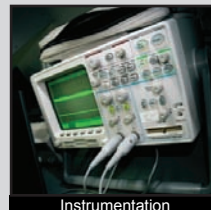
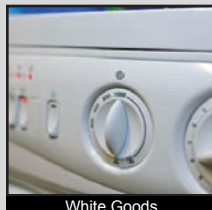
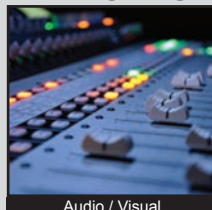


RP8500 SERIES PUSHBUTTON SWITCH

ANTI-VANDAL SWITCHES
 DETECTOR SWITCHES
 DIP SWITCHES
 KEYLOCK SWITCHES
 NAVIGATION SWITCHES
PUSHBUTTON SWITCHES
 ROCKER SWITCHES
 ROTARY SWITCHES
 SLIDE SWITCHES
 SNAP ACTION SWITCHES
 TACTILE SWITCHES
 TOGGLE SWITCHES
 CAP OPTIONS



APPLICATIONS / MARKETS



RoHS

SPECIFICATIONS

Electrical Rating: 125mA @ 125VAC; 100mA @ 50VDC
Life Expectancy: 500,000 Cycles
Contact Resistance: 50mΩ Max.
Insulation Resistance: 1,000MΩ Min. @ 500VDC
Dielectric Strength: 1,500VAC for 1 minute
Operating Temperature: -30°C to 85°C
Travel: 1.5mm
Contact Arrangement: SPST, Off-(On)
Actuation Force: 350 gf
Panel Thickness: 1.5mm - 4.0mm
Panel Cutout: 13.6mm diameter
Ingress Protection: IP67

FEATURES & BENEFITS

- Threaded mount
- 500,000 life expectancy
- LED illumination options
- Sealed to IP67 ratings
- Nylon housing & actuator

PART NUMBER CONFIGURATOR

Series	Bushing	Terminal	Contact Material	Seal	Housing Color	Cap Color	LED Color
<input type="text" value="R"/> <input type="text" value="P"/> <input type="text" value="8"/> <input type="text" value="5"/> <input type="text" value="0"/> <input type="text" value="0"/> RP8500	<input type="text" value="B"/> <input type="text" value="2"/> B2 - Threaded (M12 x .75)	<input type="text" value="M"/> <input type="text" value="1"/> M1 - Solder Lug	<input type="text" value="C"/> C - Gold over Silver	<input type="text" value="E"/> E - Epoxy	<input type="text" value="B"/> <input type="text" value="L"/> <input type="text" value="K"/> BLK - Black	<input type="text" value="W"/> <input type="text" value="H"/> <input type="text" value="T"/> WHT - White <input type="text" value="B"/> <input type="text" value="L"/> <input type="text" value="K"/> BLK - Black <input type="text" value="R"/> <input type="text" value="E"/> <input type="text" value="D"/> RED - Red <input type="text" value="Y"/> <input type="text" value="E"/> <input type="text" value="L"/> YEL - Yellow <input type="text" value="O"/> <input type="text" value="R"/> <input type="text" value="G"/> ORG - Orange <input type="text" value="G"/> <input type="text" value="R"/> <input type="text" value="N"/> GRN - Green <input type="text" value="B"/> <input type="text" value="L"/> <input type="text" value="U"/> BLU - Blue	<input type="text" value="W"/> <input type="text" value="H"/> <input type="text" value="T"/> WHT - White <input type="text" value="R"/> <input type="text" value="E"/> <input type="text" value="D"/> RED - Red <input type="text" value="Y"/> <input type="text" value="E"/> <input type="text" value="L"/> YEL - Yellow <input type="text" value="G"/> <input type="text" value="R"/> <input type="text" value="N"/> GRN - Green <input type="text" value="B"/> <input type="text" value="L"/> <input type="text" value="U"/> BLU - Blue <input type="text" value="N"/> <input type="text" value="I"/> <input type="text" value="L"/> NIL - Non-illuminated

Specifications subject to change without notice



E-SWITCH®

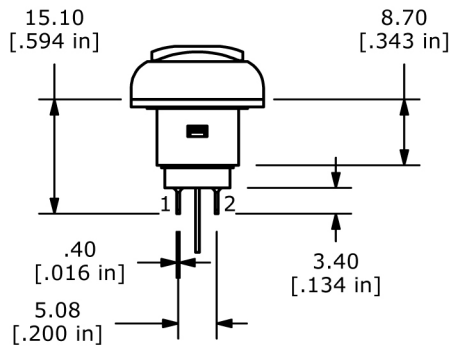
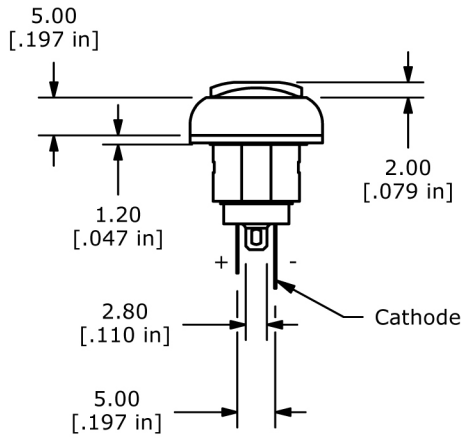
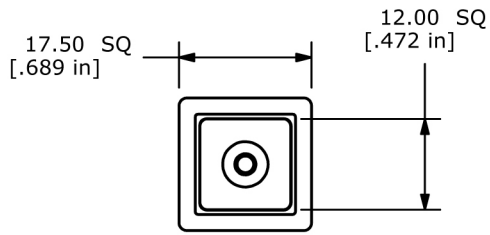
www.e-switch.com

800.867.2717

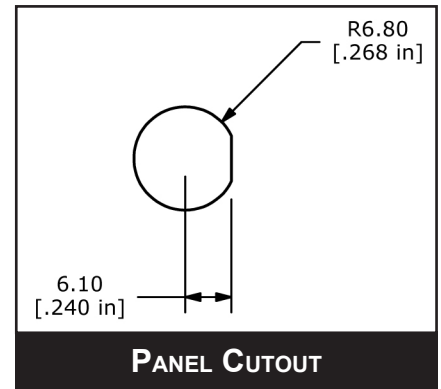
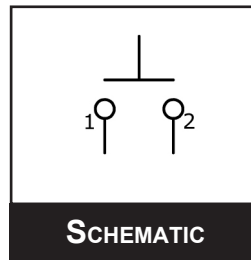
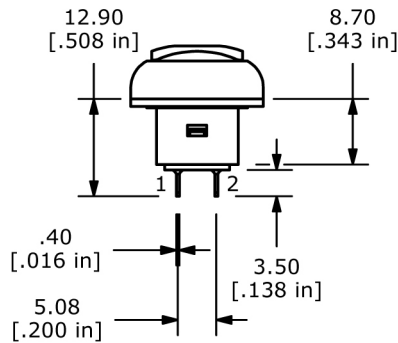
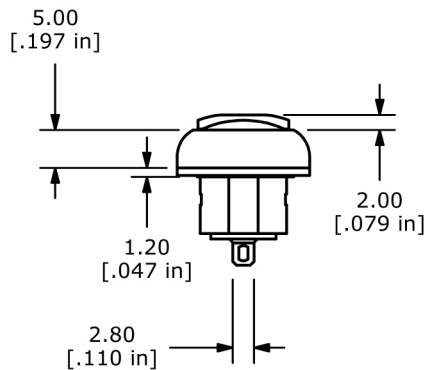
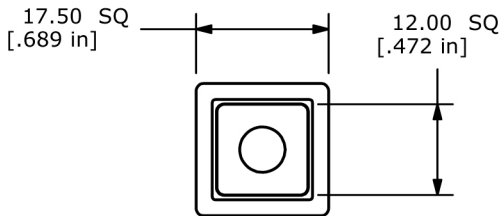
2

RP8500 SERIES PUSHBUTTON SWITCH

Illuminated



Non-Illuminated



- ANTI-VANDAL SWITCHES
- DETECTOR SWITCHES
- DIP SWITCHES
- KEYLOCK SWITCHES
- NAVIGATION SWITCHES
- PUSHBUTTON SWITCHES**
- ROCKER SWITCHES
- ROTARY SWITCHES
- SLIDE SWITCHES
- SNAP ACTION SWITCHES
- TACTILE SWITCHES
- TOGGLE SWITCHES
- CAP OPTIONS