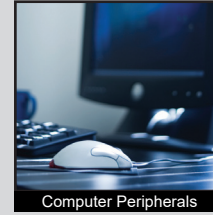


TL6800 SERIES TACT SWITCH

ANTI-VANDAL SWITCHES
 DETECTOR SWITCHES
 DIP SWITCHES
 KEYLOCK SWITCHES
 NAVIGATION SWITCHES
 PUSHBUTTON SWITCHES
 ROCKER SWITCHES
 ROTARY SWITCHES
 SLIDE SWITCHES
 SNAP ACTION SWITCHES
TACTILE SWITCHES
 TOGGLE SWITCHES
 CAP OPTIONS



APPLICATIONS / MARKETS



RoHS

SPECIFICATIONS

Electrical Rating: 50mA, 12VDC
Contact Resistance: 100mΩ Max. (Initial)
Insulation Resistance: 100MΩ Min. at 100VDC
Dielectric Strength: 250VAC for 1 Minute
Operating Temperature: -40°C to 90°C
Storage Temperature: -40°C to 90°C
Travel: 0.25mm +0.15mm
Moisture Protection: IP67
Actuation Force/Life Cycles: 160gf ±50gf/1,000,000 cycles
 260gf ±50gf/500,000 cycles

Function: SPST, Off-(On)
Bounce: 10msec Max.
Contact Material: Silver
Packaging: Tape and Reel, 1,500 pcs/reel

FEATURES & BENEFITS

- Up to 1,000,000 cycle life expectancy
- Tape and Reel packaging
- Surface mount design
- Actuation force options
- IP67 Rating

PART NUMBER CONFIGURATOR

Series	Actuator	Actuation Force	Contact Material	Termination
<input type="text" value="TL6800"/>	<input type="text" value="A - 3.1mm"/>	<input type="text" value="F160 - 160 gf - Brown"/> <input type="text" value="F260 - 260 gf - Red"/>	<input type="text" value="Q - Silver"/>	<input type="text" value="J - J-bend"/>

Specifications subject to change without notice 8.17.2022



E-SWITCH®

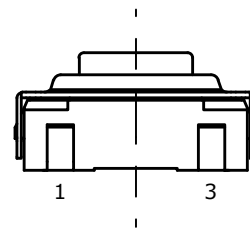
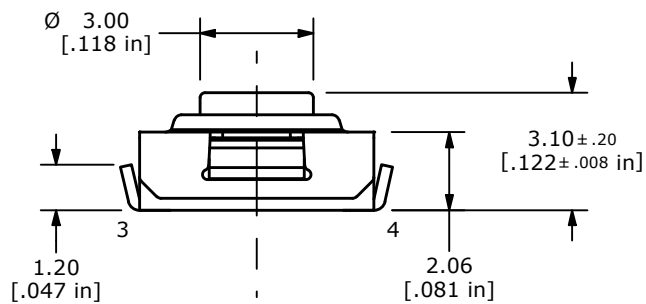
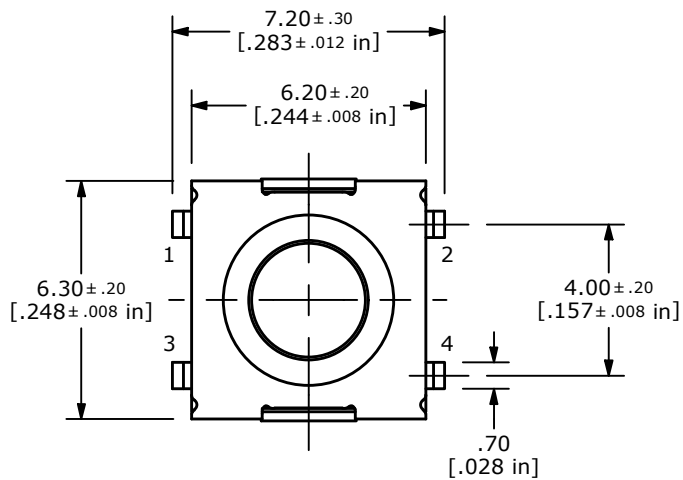
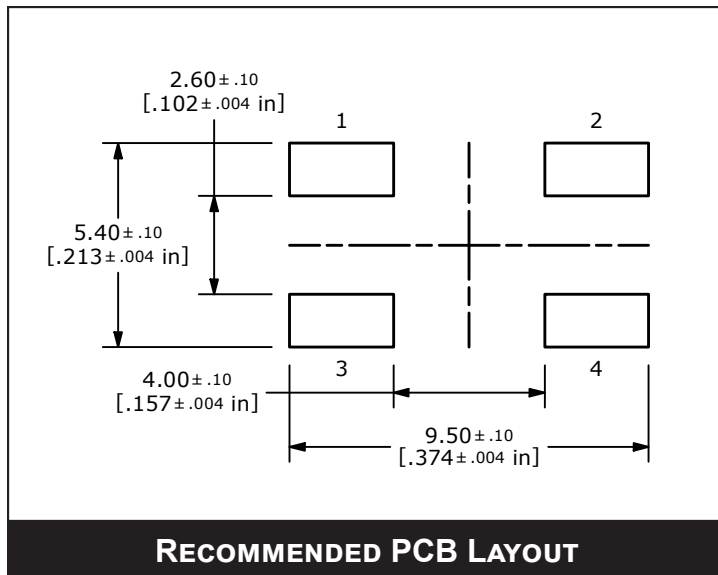
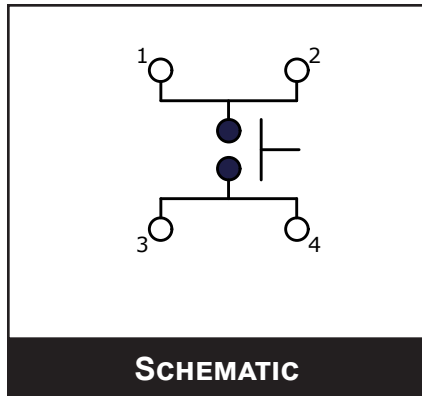
www.e-switch.com

800.867.2717

1

TL6800 SERIES TACT SWITCH

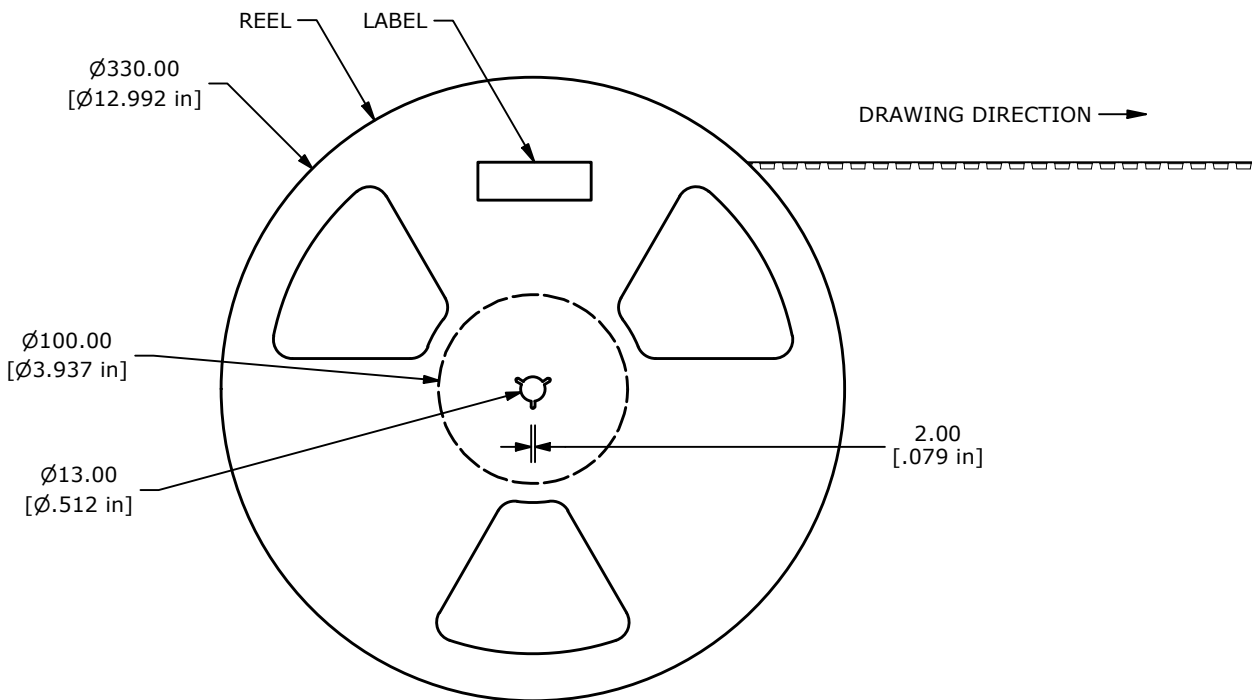
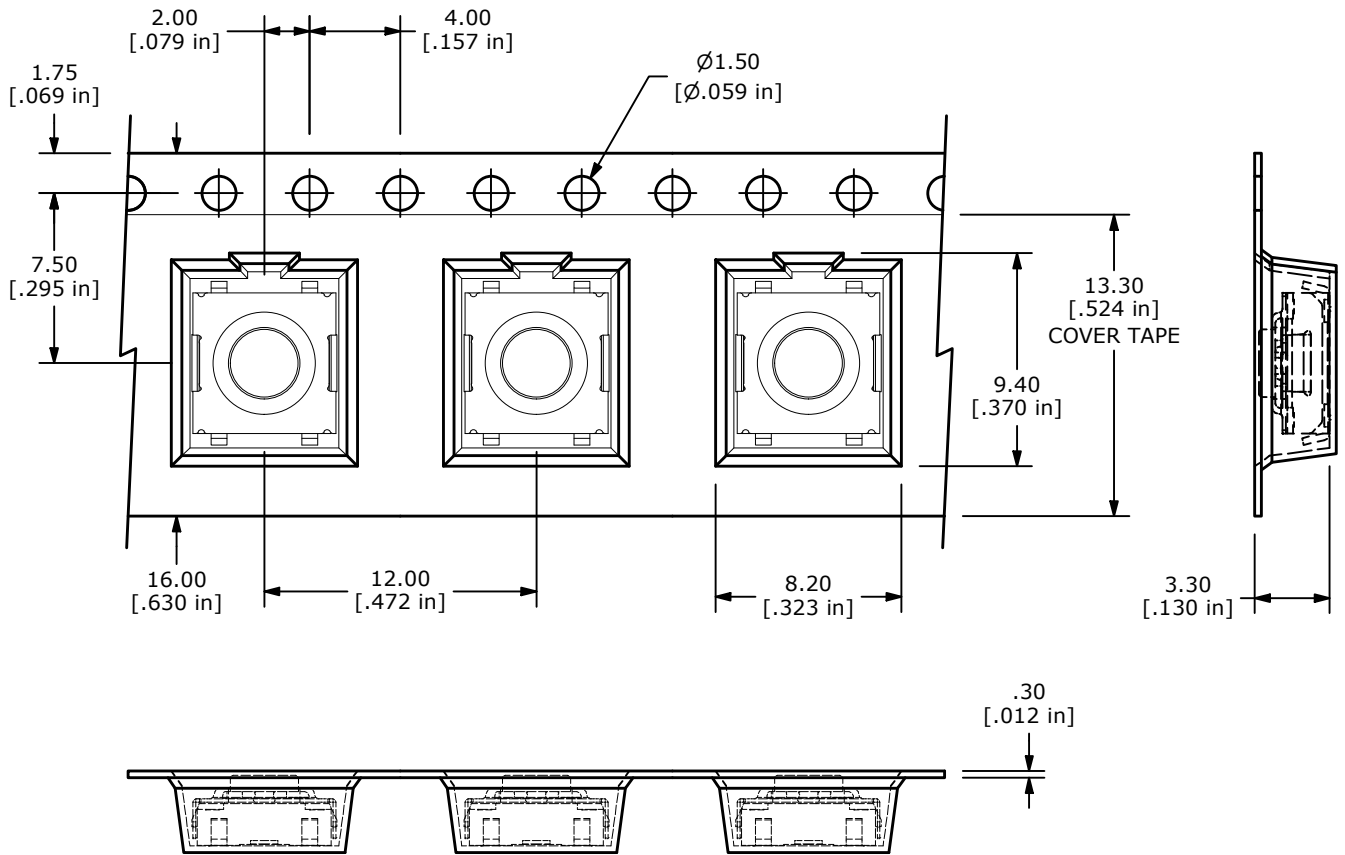
BODY DIMENSIONS



- ANTI-VANDAL SWITCHES
- DETECTOR SWITCHES
- DIP SWITCHES
- KEYLOCK SWITCHES
- NAVIGATION SWITCHES
- PUSHBUTTON SWITCHES
- ROCKER SWITCHES
- ROTARY SWITCHES
- SLIDE SWITCHES
- SNAP ACTION SWITCHES
- TACTILE SWITCHES**
- TOGGLE SWITCHES
- CAP OPTIONS

TL6800 SERIES TACT SWITCH

BODY DIMENSIONS TAPE AND REEL



RECOMMENDED SOLDER PROCESS

Most contamination problems can be prevented by exercising care during the cleaning and soldering process. Care should be taken not to immerse or spray unsealed switches during flux removal. Contact E-Switch for specific soldering recommendations and specifications not shown. Generalized soldering procedures are outlined below.

“TYPICAL” SMT REFLOW (Pb and Pb-Free)

Profile Feature	Sn-Pb Eutectic Assembly	Pb-Free Assembly
Average Ramp-Up Rate ($T_{s_{max}}$ to T_p)	3 °C/second max.	3 °C/second max.
Preheat		
-Temperature Min ($T_{s_{min}}$)	100 °C	150 °C
-Temperature Max ($T_{s_{max}}$)	150 °C	200 °C
-Time ($t_{s_{min}}$ to $t_{s_{max}}$)	60-120 seconds	60-180 seconds
Time Maintained above:		
-Temperature (T_L)	183 °C	217 °C
-Time (t_L)	60-150 seconds	60-150 seconds
Time within 5 °C of actual Peak Temperature (t_p)	10-30 seconds	20-40 seconds
Ramp-Down Rate	6 °C/second max.	6 °C/second max.
Time 25 °C to Peak Temperature	6 minutes max.	8 minutes max.

Note 1: All temperatures refer to topside of the package, measured on the package surface.

