

LP16 SERIES PUSHBUTTON SWITCH

ANTI-VANDAL SWITCHES
 DETECTOR SWITCHES
 DIP SWITCHES
 KEYLOCK SWITCHES
 NAVIGATION SWITCHES
PUSHBUTTON SWITCHES
 ROCKER SWITCHES
 ROTARY SWITCHES
 SLIDE SWITCHES
 SNAP ACTION SWITCHES
 TACTILE SWITCHES
 TOGGLE SWITCHES
 CAP OPTIONS



APPLICATIONS / MARKETS



Audio / Visual



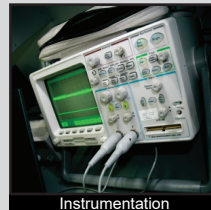
Computer Peripherals



Telecommunication



Networking



Instrumentation



Medical Equipment

RoHS

SPECIFICATIONS

Electrical Rating: 100mA, 20VDC
Life Expectancy: 50,000,000 Cycles
Contact Resistance: 150mΩ Max.
Insulation Resistance: 10MΩ Min. at 500VDC
Dielectric Strength: 500VAC for 1 Minute
Operating Temperature: -5°C to 60°C
Operating Force: 250gf
Total Travel: 3.3mm
Functions: SPST, Off-(On), Momentary

FEATURES & BENEFITS

- 50,000,000 cycle life expectancy
- Long 3.3mm travel
- Illumination options
- 2 cap sizes
- Price competitive

PART NUMBER CONFIGURATOR

Series	Function	Circuit	Actuators	Cap Configuration	Cap Color	Diffuser Color	LED Color
<input type="text" value="LP"/> <input type="text" value="16"/>	<input type="text" value="OA"/> <input type="text" value=""/>	<input type="text" value="1"/>	<input type="text" value="A"/>	<input type="text" value="S"/>	<input type="text" value="T"/>	<input type="text" value="T"/>	<input type="text" value="N"/>
LP16	OA - Momentary	1 - SPST	A - 12.2mm Square B - 14.6mm Square	S - Sculptured	T - Transparent* R - Red G - Green B - Blue Y - Yellow	T - Transparent** W - White R - Red G - Green B - Blue Y - Yellow	N - No LED R - Red G - Green B - Blue Y - Yellow

*Always used when a diffuser color is defined

**Always used when a cap color is defined

Specifications subject to change without notice 2.8.2019



E-SWITCH®

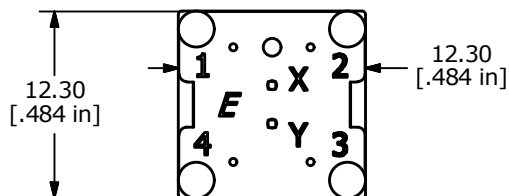
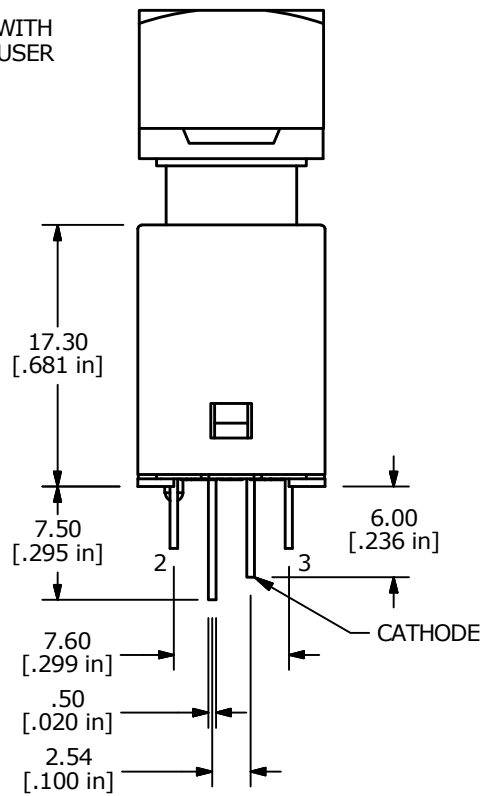
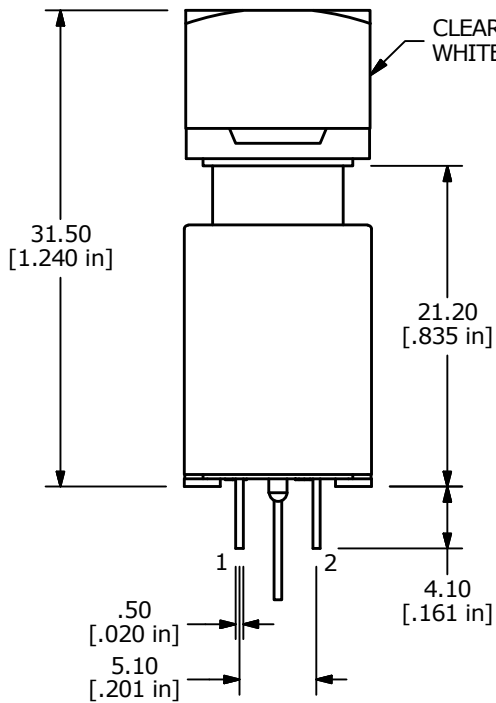
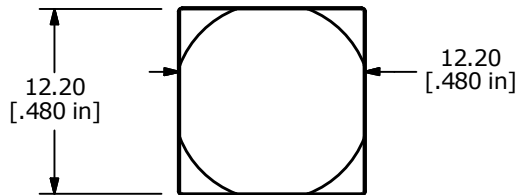
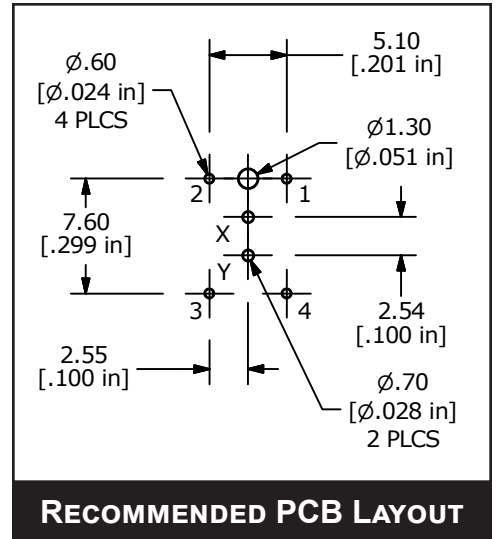
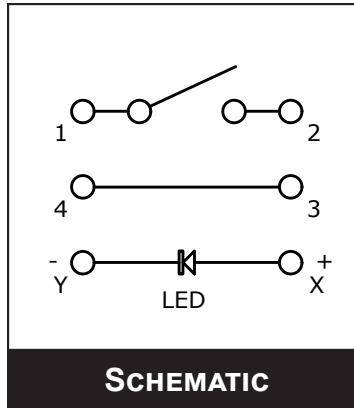
www.e-switch.com

800.867.2717

1

LP16 SERIES PUSHBUTTON SWITCH

BODY DIMENSIONS 12.2MM SQUARE ACTUATOR



LP16 SERIES PUSHBUTTON SWITCH

BODY DIMENSIONS 14.6MM SQUARE ACTUATOR

